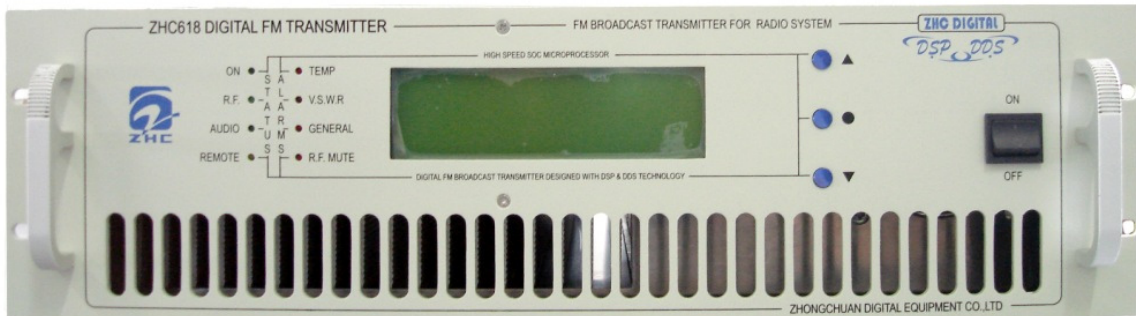


## 500W Compact FM Stereo Transmitter

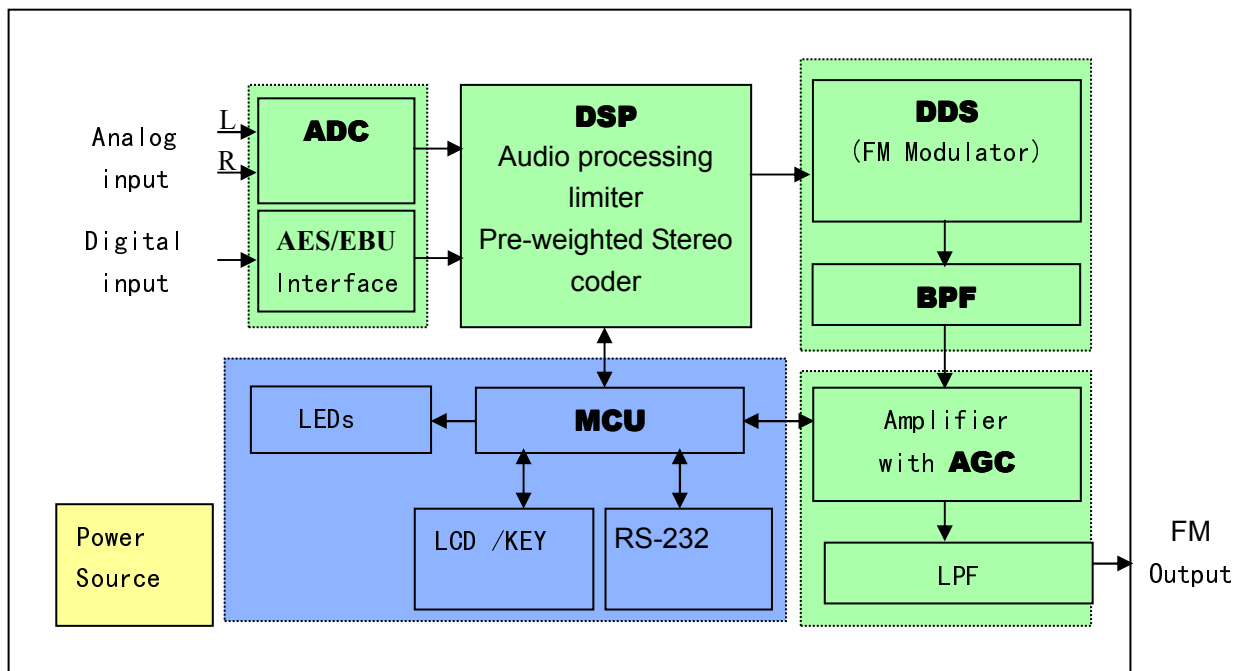
CZH618F-500C is a compact FM stereo broadcasting transmitters. The advanced digital technologies, Digital Signal Processor (DSP) and Digital Direct Synthesizer (DDS), are used in the transmitters to get little size, high performance and high reliability. They are widely used for professional radio stations to transmit high quality FM radio programs.



### FEATURES

- Hearing similar to CD
- All-digital technologies DSP+DDS
- Built-in audio signal limiter
- Analog and digital(AES/EBU) audio signal input directly.
- AGC circuit to keep the Output Power stability.
- Big LCD display all the parameters in real time.
- Communication Interface by RS232 for remote
- Five kinds of protections for the security
- Stainless steel cabinet
- Easy to upgrade to synchronized transmitter
- Compact structure

## CZH618F-500C DIAGRAM



## SPECIFICATIONS

1. Frequency Range:	87.0MHz~108.0MHz
2. Frequency Setting step:	10KHz
3. Carrier Frequency precision:	±250Hz
4. Residual Wave Radiation:	≥65dBc
5. Audio Input Impedance:	600Ω, Balance
6. Stereo Separation:	55dB
7. Audio Input Level:	-12~+8 dBm, step 0.01dB
8. S/N:	≥75dB(10H~15kHz, 100%)
9. Audio Harmonic Distortion:	<0.1%
10. Audio response:	±0.05dB(10Hz~15KHz)
11. Output Load Impedance:	50Ω
12. Output Power:	0~500W
13. Pre-emphasis:	0μS, 50μS, 75μS
14. Deviation:	±75kHz
15. Pilot Frequency:	19 kHz±1Hz, Pilot Signal Modulation: 8%~10%
16. Sub-carrier Suppression:	≥65dB
17. RF Output Interface:	7/16'(female) or 7/8'Flange
18. Size:	3U, 19-inch standard
19. Weight:	35KG