

500W/1000W Rack FM Stereo Transmitter

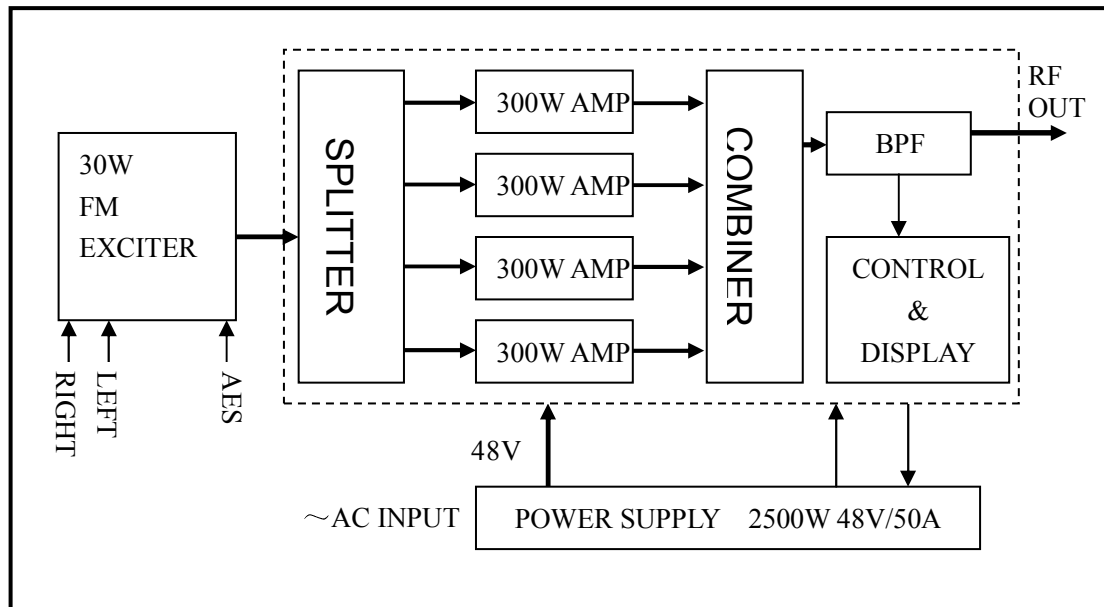
CZH618F-1KW is a rack FM stereo broadcasting transmitter. It consists of one digital FM exciter, 1KW amplifier module and power supply module. All these are installed in a 1-meter high 19-inch standard rack. It's easy to maintain. It is widely used for professional radio stations to transmit high quality FM radio programs.



FEATURES

- Hearing similar to CD
- All-digital technologies DSP+DDS
- Built-in audio signal limiter
- Analog and digital(AES/EBU) audio signal input directly.
- AGC circuit to keep the Output Power stability.
- Big LCD display all the parameters in real time.
- Communication Interface by RS232 for remote
- Five kinds of protections for the security
- Stainless steel cabinet
- Easy to upgrade to synchronized transmitter
- 1-meter Height 19-inch standard rack
- Easy to maintain

CZH618F-500W/1KW FM Transmitter DIAGRAM



SPECIFICATIONS

1.Frequency Range:	87.0MHz~108.0MHz
2. Frequency Setting step:	10KHz
3. Carrier Frequency precision:	±200Hz
4.Residual Wave Radiation:	≥65dBc
5. Audio Input Impedance:	600Ω,Balance
6.Stereo Separation:	55dB
7. Audio Input Level:	±10dBm, step 0.01dB
8.S/N:	≥75dB(10H~15kHz,100%)
9.Audio Harmonic Distortion:	<0.1%
10.Audio response:	±0.05dB(10Hz~15KHz)
11.Output Load Impedance:	50Ω
12.Output Power:	0~500W/0~1000W
13.Pre-emphasis:	0μS, 50μS, 75μS
14.Deviation:	±75kHz
15.Pilot Frequency:	19 kHz±1Hz Pilot Signal Modulation: 8%~10%
16.Sub-carrier Suppression:	≥65dB
17.RF Output Interface:	7/16'(female) or 7/8'Flange
18.Size:	1-meter,19-inch standard rack
19.Weight:	85KG