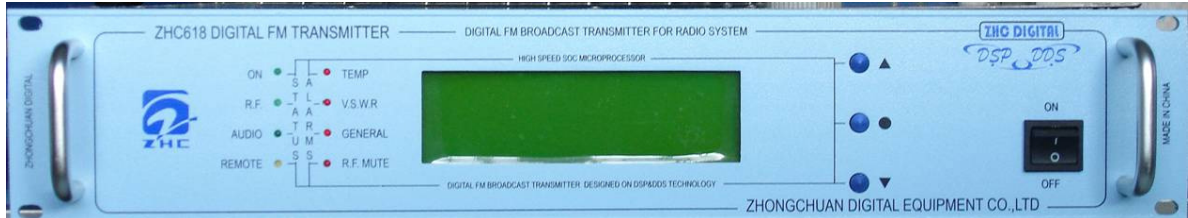
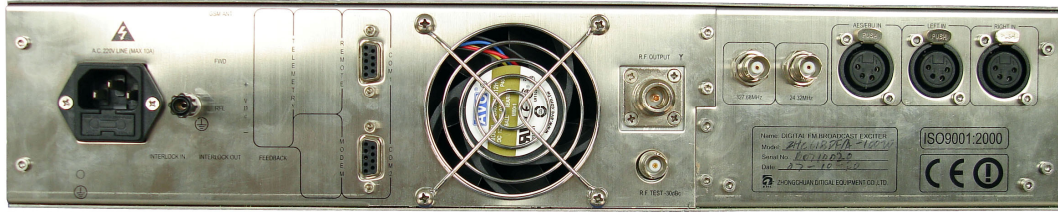


# 100W FM Broadcast Transmitter

CZH618F-100W is a professional FM stereo/Mono broadcasting transmitter. The advanced digital technologies, Digital Signal Processor (DSP) and Digital Direct Synthesizer (DDS), are used in the transmitters to get little size, high performance and high reliability. They are widely used for professional radio stations to transmit high quality FM radio programs.

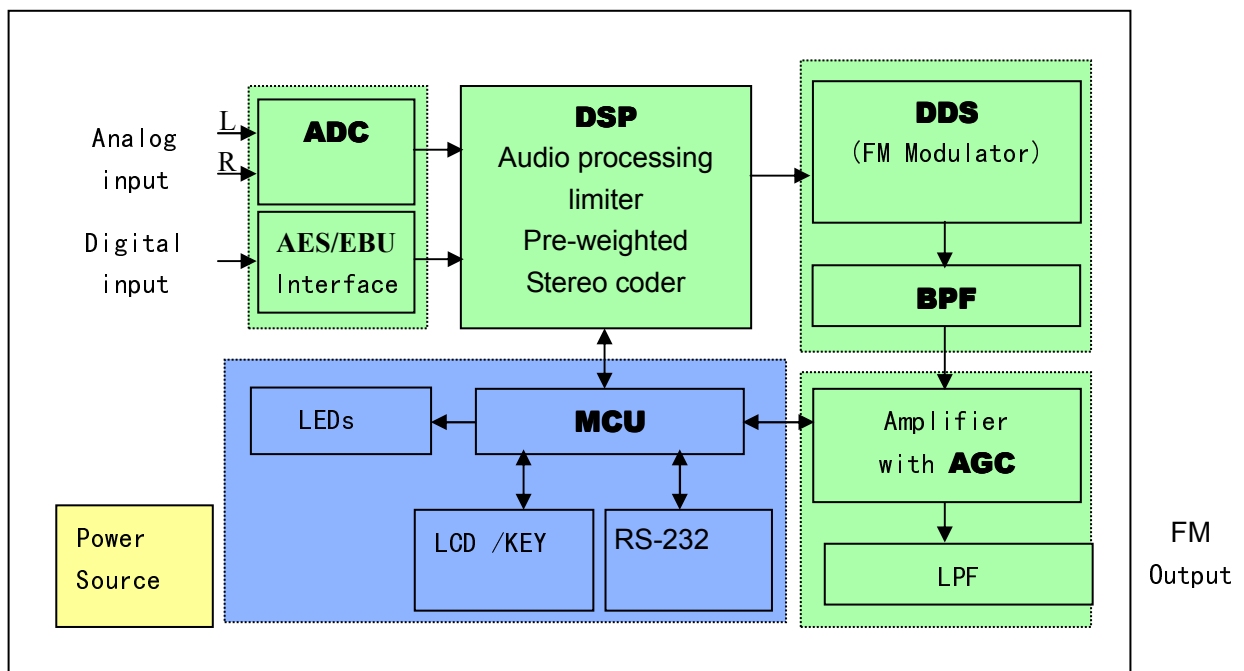




## FEATURES

- Hearing similar to **CD**
- All-digital technologies **DSP+DDS**
- Built-in audio signal limiter
- Analog and digital(**AES/EBU**) audio signal input directly.
- **AGC** circuit to keep the Output Power stability.
- Big **LCD** display all the parameters in real time.
- Communication Interface by **RS232** for remote
- Five kinds of protections for the security
- Stainless steel cabinet

## CZH618F-100W DIAGRAM



## SPECIFICATIONS

1.Frequency Range:	87.0MHz~108.0MHz
2.Frequency Setting step:	10KHz
3.Carrier Frequency precision:	±200Hz
4.Output Power:	0~100W
5.Output Load Impedance:	50Ω
6.RF Output Interface:	N(female).
7.Residual Wave Radiation:	≥65dBc
8. Audio Input Impedance:	600Ω,Balance,XLR
9.Stereo Separation:	55dB
10. Audio Input Level:	-12dBm~+8dBm
11. Audio gain:	-15dB~+15dB, step 0.01dB
12.S/N:	≥75dB(30H~15kHz,100%modulation)
13.Audio Harmonic Distortion:	<0.1%
14.Audio response:	±0.1dB(30Hz~15KHz)
15.Pre-emphasis:	0μS, 50μS, 75μS
16.Deviation:	±75kHz(100%modulation)
17.Pilot Frequency:	19 kHz±1Hz
18. Pilot Signal Modulation:	8%~10%
19.Sub-carrier Suppression:	≥65dB
20.Power supply	110VAC~265VAC,50Hz~60Hz
21.Operating Temperature	-5°C to +50°C
22.Operating altitude	5000m above sea
23.Humidity	90%
24Size:	2U,19-inch standard
25.Weight:	15KG